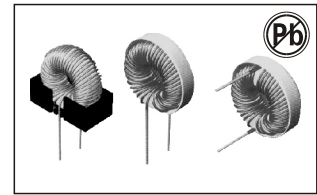


# VERTICAL/BASE MOUNT TOROIDAL COILS

## AGT-10 SERIES



### FEATURES:

High saturation material  
Wide inductance range  
High current capability  
Long term stability  
High reliability  
Low DC resistance

### OPTIONS:

Packaging: Bulk is standard  
Mounting: (V)ertical is standard and (B)ase mount is standard (H)orizontal  
Mounting available  
Inductance: Optional values available

### COMMON APPLICATIONS:

Switching Regulators  
Automotive Systems  
Power Amplifiers  
Power Supplies  
SCR and Triac Controls  
Speaker Crossover Networks  
EMI/RFI suppression  
Filters

## ELECTRICAL CHARACTERISTICS

MSN: bruce\_fu-vip@hotmail.com

Part Number	L H	IDC Max A	RDC Max	Lead Dia	L 0.75	P Max	N Max	A 0.10	B 0.10	C Max	D Typical	E Typical	F Typical
AGT-10-5R0M	5	2.5	.03	.020	.425	.550	.250	.340	.580	.640	.290	.110	.25
AGT-10-250M	25	2.5	.04	.020	.425	.550	.250	.340	.580	.640	.290	.110	.25
AGT-10-500M	50	2.5	.07	.020	.425	.640	.330	.450	.650	.730	.325	.150	.25
AGT-10-101M	100	2.5	.10	.020	.425	.840	.340	.450	.830	.940	.415	.150	.25
AGT-10-350M	35	2.5	.04	.025	.425	.640	.340	.450	.650	.730	.325	.150	.25
AGT-10-700M	70	3.0	.05	.025	.425	.860	.360	.450	.830	.960	.415	.150	.25
AGT-10-14.51M	145	3.0	.09	.025	.425	.970	.470	.600	.950	1.060	.475	.225	.25
AGT-10-28.51M	285	3.0	.14	.025	.925	1.210	.550	.700	1.250	1.300	.625	.250	.25
AGT-10-451M	450	3.0	.20	.025	.925	1.490	.580	-	-	-	-	-	-
AGT-10-101M	100	3.5	.04	.032	.425	.950	.500	.600	.950	1.060	.475	.225	.25
AGT-10-16.51M	165	4.0	.07	.032	.925	1.230	.560	.700	1.250	1.330	.625	.250	.25
AGT-10-271M	270	4.0	.10	.032	.925	1.530	.590	-	-	-	-	-	-
AGT-10-400M	40	4.0	.03	.032	.425	.840	.380	.450	.830	.940	.415	.150	.25
AGT-10-101M	100	5.0	.04	.042	.925	1.240	.600	.700	1.250	1.370	.625	.250	.25
AGT-10-171M	170	5.0	.05	.042	.925	1.480	.600	-	-	-	-	-	-
AGT-10-550M	55	5.0	.02	.042	.425	1.00	.510	.600	.950	1.070	.475	.225	.25
AGT-10-950M	95	7.0	.03	.051	.925	1.510	.620	-	-	-	-	-	-0
AGT-10-550M-7(A)	55	7.0	.02	.051	.925	1.300	.610	.700	1.250	1.440	.625	.250	.25
AGT-10-550M-10(A)	55	10.0	.02	.064	.925	1.540	.650	-	-	-	-	-	-
AGT-10-251M	250	10.0	.20	.020	.425	.840	.340	.450	.830	.960	.415	.150	.25

## TECHNICAL INFORMATION & PHYSICAL CHARACTERISTICS:

Testing: (Equivalent acceptable)

Inductance: Measured at 1kHz 0.1V HP4284A

RDC: QuadTech 1880 Milliohm meter

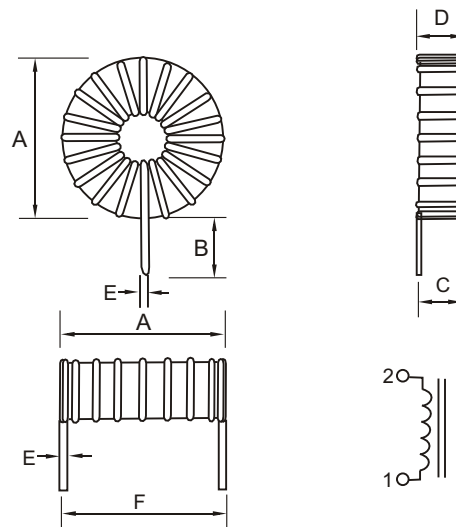
IDC Max: Losers inductance by 10%

Temperature range: -55 to +125

-55 to +85 at full rated current

Mounting: Add (V), (H) as Suffix to Part Number

Note: All specifications subject to change without notice.



Dimensions: Inches