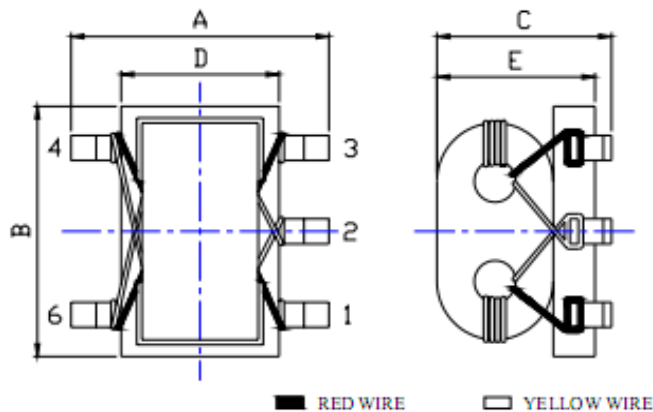


SPECIFICATION FOR APPROVAL

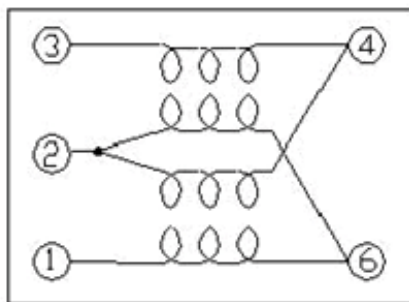
Part Number	YB5F-SC60440002S	Insertion Loss	10MHz-1GHz-6.0dB Max
-------------	------------------	----------------	----------------------

1、 DIMENSION DIAGRAM (Unit : mm)

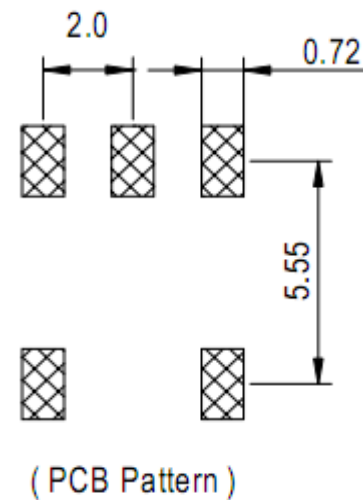


A:6.50MAX
B:6.50MAX
C:4.50MAX
D:4.00±0.20
E:4.00±0.20
F:4.00±0.10
G: 0.60REF

2、 ELECTRICAL STRUCTURE



3、 RECOMMENDED LAYOUT



4、 ELECTRICAL CHARACTERISTICS:

TURNS : YL1(2-4)=YL2(2-6)=2.5TS,RL3(1-6)=RL4(3-4)=0.5TS(FIXED)

TEST FREQUENCY: 100KHZ/0.25V(TH2776B)

INDUCTANCE : L(1-3)=2.0uH (REF)

DC RESISTANCE : R(1-3)=100 mΩ MAX(TH502BC)

INSERTION LOSS : 6.0dB(MAX) (AT 10MHz-1.0GMHz)

DRAW BY

郑衍方

CHECKED BY

叶永钧

APPROVED BY

邓高