

SPECIFICATION FOR APPROVAL

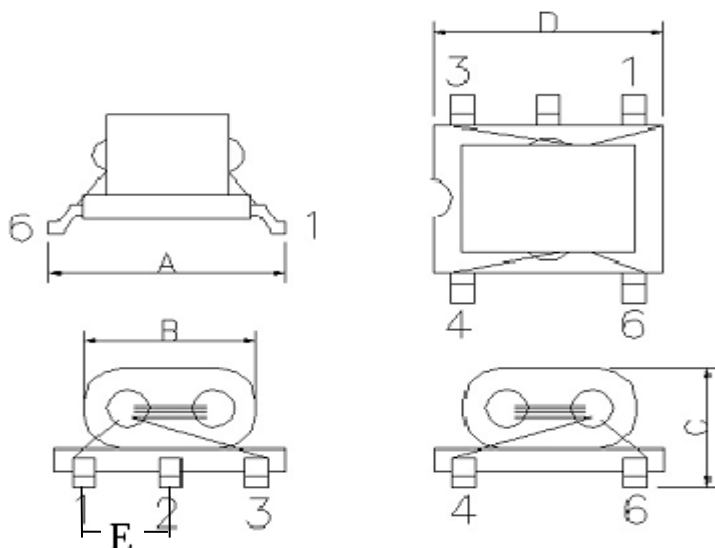
Part Number

YB4F-CX2156NL

Insertion Loss

2.3-2700MHz--0.5dB Max

1、 DIMENSION DIAGRAM (Unit : mm)



A:5.50MAX

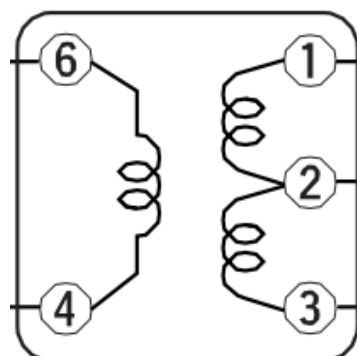
B:4.00MAX

C:4.00MAX

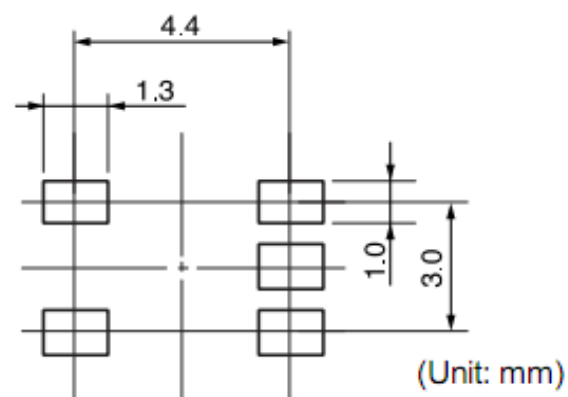
D:4.30±0.20

E:1.50±0.20

2、 ELECTRICAL STRUCTURE



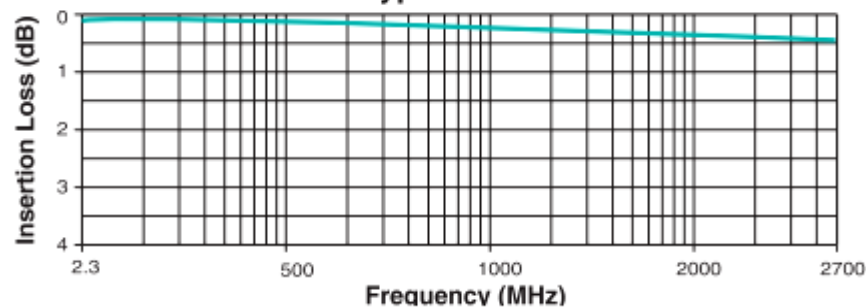
3、 RECOMMENDED LAYOUT



4、 INSERTION LOSS TEST CURVE:

Electrical Specifications @25°C

Part Number ⁴	Impedance Ratio ¹ Pri:Sec (±2%)	Turns Ratio ¹ Pri:Sec (±2%)	Bandwidth ^{2,3} (MHz TYP)	Insertion Loss @ Midband (dB)	Schematic
CX2156NL	1:1	1:1	2.3 - 2700	0.2	A

CX2156NL - Typical Insertion Loss


DRAW BY

郑衍方

CHECKED BY

叶永钧

APPROVED BY

邓高