

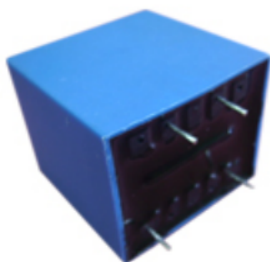


陕西电子科技集团有限公司	PHONE: +86-769-89319196
SHAANXI ELECTRONIC GROUPTECH CO., LTD	FAX: +86-769-83123707
http://www.ferritewindings.com	sales@ferritewindings.com

TECHNICAL SPECIFICATION

技术规格书

DESCRIPTION	(产品名称):	POWER TRANSFORMER
MODEL	(产品型号):	EI301817
CUSTOMER	(客户名称):	JENS
CUSTOMER PART NO. (客户代码):		230V/6.5V-2.5VA
DATE	(确认日期):	



DRAWER (设计)	CHECKED(审核)	APPROVED(批准)	DATE(日期)	NO. REV (编号含版本号)	PAGE (页号)
徐琼梅	JACK	VICKY	2011.09.22	2011XQM111V0	1/4



陕西电子科技集团有限公司

PHONE: +86-769-89319196

SHAANXI ELECTRONIC GROUPTECH CO., LTD

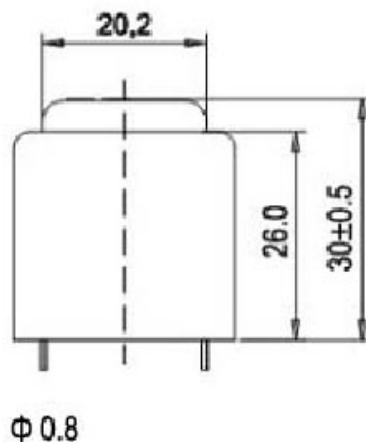
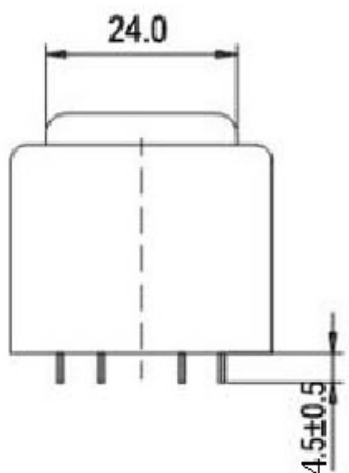
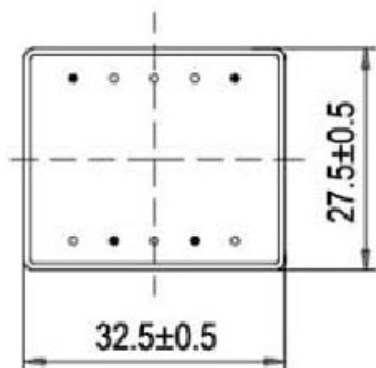
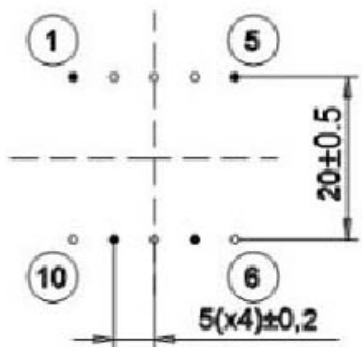
FAX: +86-769-83123707

http://www.ferritewindings.com

sales@ferritewindings.com

DESCRIPTION 产品名称	MODEL 产品型号	PROVISIONAL DEVELOPING CODE 开发代码	CUSTOMER 客户名称	CUSTOMER PART NO. 客户代码	DATE 确认日期
电源变压器	EI301817				

◆MACHANICAL DRAWING (装配图) UNIT: MM



DRAWER (设计)	CHECKED (审核)	APPROVED (批准)	DATE (日期)	NO. REV (编号含版本号)	PAGE (页号)
徐琼梅	JACK	VICKY	2011.09.22	2011XQM111V0	2/4



陕西电子科技集团有限公司

PHONE: +86-769-89319196

SHAANXI ELECTRONIC GROUPTECH CO., LTD

FAX: +86-769-83123707

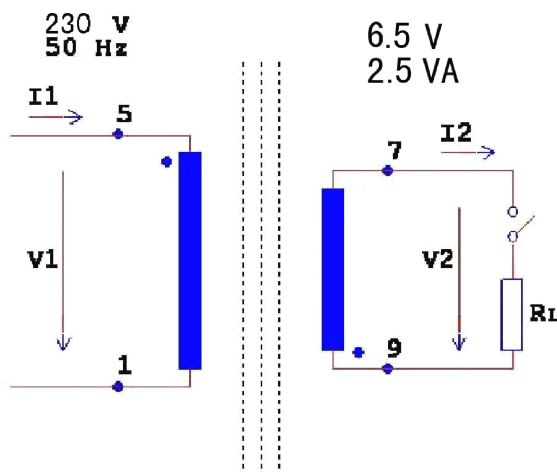
http://www.ferritewindings.com

sales@ferritewindings.com

DESCRIPTION 产品名称	MODEL 产品型号	PROVISIONAL DEVELOPING CODE 开发代码	CUSTOMER 客户名称	CUSTOMER PART NO. 客户代码	DATE 确认日期
电源变压器	EI301817				

◆ ELECTRICAL CHARACTERISTIC AND DRAWING(电性能及电原理图)

1. ELECTRICAL DRAWING



2. ELECTRICAL CHARACTERISTIC

2.1 FUNCTIONAL TEST

	Current I Or power P	Voltage V volt	Attributes controlled
S1		AC10.5V	V1=no load secondary voltage with supply 230V 50Hz
S1	278.0mA	AC 6.5V	V1=load secondary voltage with supply 230V 50Hz

2.2 DIELECTRIC STRENGHT

	Voltage V	Frequency Hz	Current mA	Time sec	Attributes controlled
P-S	3600	50	10	2	Dielectric strength between Primary and secondary winding

DRAWER (设计)	CHECKED(审核)	APPROVED(批准)	DATE (日期)	NO. REV (编号含版本号)	PAGE (页号)
徐琼梅	JACK	VICKY	2011.09.22	2011XQM111V0	3/4



陕西电子科技集团有限公司

PHONE: +86-769-89319196

SHAANXI ELECTRONIC GROUPTECH CO., LTD

FAX: +86-769-83123707

<http://www.ferritewindings.com>

sales@ferritewindings.com

DESCRIPTION 产品名称	MODEL 产品型号	PROVISIONAL DEVELOPING CODE 开发代码	CUSTOMER 客户名称	CUSTOMER PART NO. 客户代码	DATE 确认日期
电源变压器	EI301817				

◆ LIST OF MATERIAL (材料列表)

NO.	NAME	SPECIFICATION	SUPPLIER	SGS UL CERTI.NO
1	LAMINATED CORES	EI30/0.5T	YUNG-CHIN SILICON STUL CO.,LTD	
2	RESIN BOX	EI30×18 PBT	SHINKONG SYNTHETIC FIBERS CORP	E107536
	BOBBIN	EI30×18 PA66 30%FV	NINGBO WEINING ENGINEERING PLASTICS CO LTD	E256549
3	COPPER WIRE	GRADE1 CLASS 155℃	SHANGHAI ASIA PACIFIC ELECTRIC CO.,LTD.	E214423
			ELEKTRISOLA HANGZHOU CO.,LTD.	E258243
4	EPOXY RESIN	910#	JIAXINGSHI JIAGANG ELECTRONIC MATREIAT CO.,LTD	E213711

DRAWER (设计)	CHECKED (审核)	APPROVED (批准)	DATE (日期)	NO. REV (编号含版本号)	PAGE (页号)
徐琼梅	JACK	VICKY	2011.09.22	2011XQM111V0	4/4