

SURFACE-MOUNT TOROIDAL COMMON MODE CHOKES

STRF01-06 SERIES

FEATURES:

- Toroid core
- SMD construction
- Excellent Mechanical Strength
- Excellent Solderability
- High Reliability
- Low Profile

OPTIONS:

- Packaging:Tape & Reel is standard (Qty:2000pcs)
- Bulk packaging available for smaller quantities
- Tolerance:20% is standard, tighter tolerances available

COMMON APPLICATIONS:

- DC/DC, AC/DC converter
- Filter and Noise suppression
- Communication System
- Automotive Systems
- Liquid Crystal Televisions
- Network Systems
- Computer Peripheral Equipment

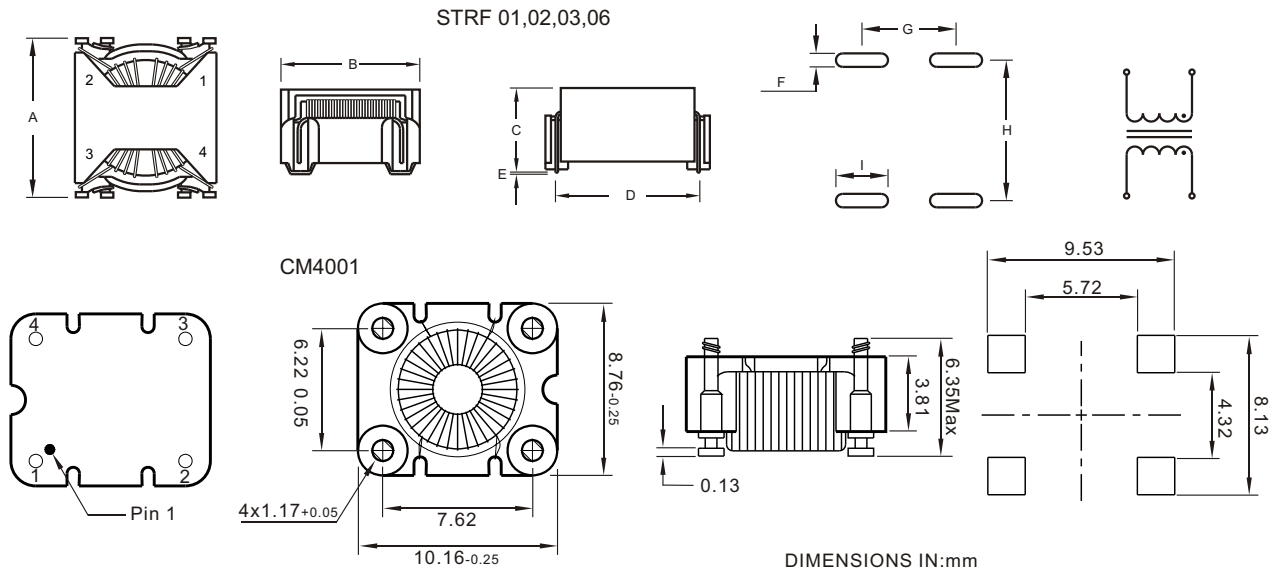
ELECTRICAL CHARACTERISTICS

MSN: bruce_fu-vip@hotmail.com

| Part Number | L mH | Test Freq KHz | DCR () Max | IDC (A) Max |
|--------------|---------|------------------|----------------------|-------------------|
| STRF-01-102Y | 1.00 | 10 | 0.060 | 1.5 |
| STRF-01-103Y | 10.00 | 10 | 0.450 | 1.0 |
| STRF-01-223Y | 22.00 | 10 | 0.850 | 0.50 |
| STRF-02-102Y | 1.00 | 10 | 0.050 | 3.60 |
| STRF-02-302Y | 3.00 | 10 | 0.080 | 2.50 |
| STRF-03-221Y | 0.225 | 10 | 0.060 | 3.30 |
| STRF-03-801Y | 0.768 | 10 | 0.040 | 4.70 |
| STRF-03-132Y | 1.320 | 10 | 0.060 | 3.30 |
| STRF-03-591Y | 0.590 | 10 | 0.020 | 5.60 |
| STRF-03-162Y | 1.590 | 10 | 0.080 | 2.80 |
| STRF-06-122Y | 1.170 | 10 | 0.220 | 1.22 |
| STRF-06-881Y | 0.884 | 10 | 0.110 | 1.63 |
| CM 4001 | 5.0 | 10 | 1.0 | 0.3 |

Note:1. K= 10%,M= 20%,Y=25%,N= 30%

TECHNICAL INFORMATION & PHYSICAL CHARACTERISTICS:



DIMENSIONS IN:mm

IDC Max:Determined when superimposed
 Inductance test :HP4284A 10KHz 0.1V
 RDC:QuadTech 1880 Milliohmeter
 Operating temperature: -40 to +105
 Storage Temperature: -40 to +105
 Solder methods: Vapor Phase,Infrared Reflow
 Resistance to soldering heat:260 for 10 seconds
 Solvent resistance: Conforms to MIL-STD-202E
 Marking: Inductance & Tolerance
 Note:All specifications subject to change without notice.

| Part number | A | B | C | D | E | F | G | H | I |
|-------------|---------|---------|------|-------|------|------|------|-------|-----|
| STRF-01 | 16.0Typ | 14.0Typ | 7.87 | 13.46 | 0.63 | 1.52 | 8.63 | 13.46 | 4.5 |
| STRF-02 | 19.0Typ | 16.5Typ | 8.89 | 16.76 | 0.63 | 1.52 | 11.3 | 16.76 | 4.5 |
| STRF-03 | 19.0Typ | 16.5Typ | 8.89 | 16.76 | 0.63 | 1.52 | 11.3 | 16.76 | 4.5 |
| STRF-06 | 12.2Typ | 13.7Typ | 6.35 | 8.38 | 0.63 | 1.52 | 8.38 | 10.40 | 4.5 |