

# SURFACE-MOUNT TOROIDAL COMMON MODE CHOKES

## STR1206-0603 SERIES



### FEATURES:

- SMD Housing
- High Frequency Design
- Excellent Mechanical Strength
- Excellent Solderability
- High Reliability
- Low Profile

### OPTIONS:

- Packaging: Tape & Reel is standard (Qty:2000pcs)
- Bulk packaging available for smaller quantities
- Tolerance: 10% and 5% is standard, tighter tolerances available

### COMMON APPLICATIONS:

- VCRs
- Video Cameras
- Communication System
- Automotive Systems
- Liquid Crystal Televisions
- Hard Disk Drives
- Network Systems
- Computer Peripheral Equipment

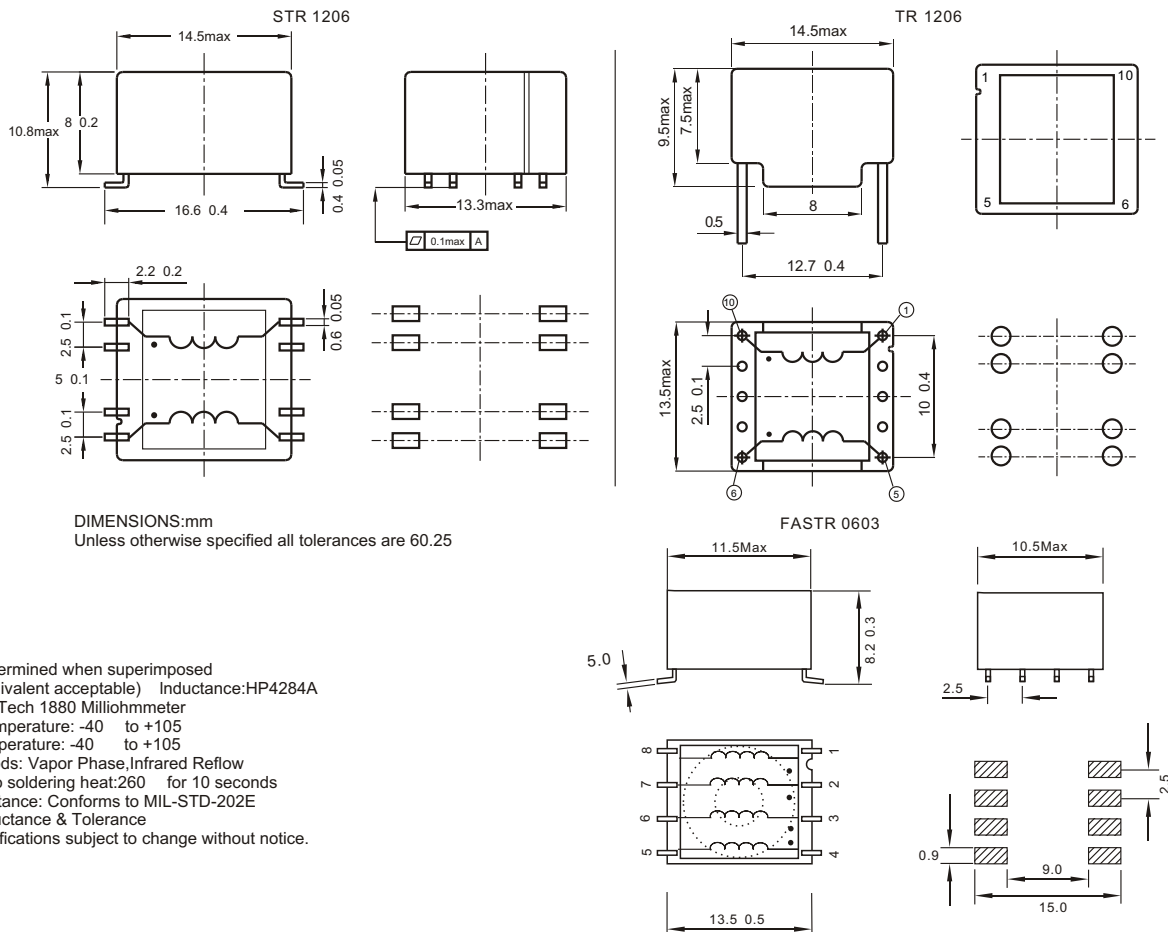
## ELECTRICAL CHARACTERISTICS

MSN: bruce\_fu-vip@hotmail.com

| Part Number  | L<br>mH | Test Freq<br>KHz | DCR<br>Max | IDC<br>A<br>Max | Part Number | L<br>H | Test Freq<br>KHz | DCR<br>Max | IDC<br>A<br>Max |
|--------------|---------|------------------|------------|-----------------|-------------|--------|------------------|------------|-----------------|
| STR1206-123Y | 12.0    | 1                | 1.15       | 0.3             | TR1206-123Y | 12.0   | 1                | 1.15       | 0.3             |
| STR1206-442Y | 4.4     | 1                | 0.43       | 0.6             | TR1206-442Y | 4.4    | 1                | 0.43       | 0.6             |
| STR1206-302Y | 3.0     | 1                | 0.23       | 1.0             | TR1206-302Y | 3.0    | 1                | 0.23       | 1.0             |
| STR1206-112Y | 1.1     | 1                | 0.07       | 2.0             | TR1206-112Y | 1.1    | 1                | 0.07       | 2.0             |
| STR0603-102Y | 1.0     | 1                | 0.82       | 0.5             |             |        |                  |            |                 |
| STR0603-501Y | 0.5     | 1                | 0.45       | 0.6             |             |        |                  |            |                 |
| STR0603-221Y | 0.22    | 1                | 0.22       | 0.8             |             |        |                  |            |                 |
| STR0603-151Y | 0.15    | 1                | 0.15       | 1.0             |             |        |                  |            |                 |

Note: Y Min

## TECHNICAL INFORMATION: PHYSICAL CHARACTERISTICS:



DIMENSIONS:mm  
Unless otherwise specified all tolerances are 60.25

IDC Max:Determined when superimposed  
Testing: (Equivalent acceptable) Inductance:HP4284A  
RDC:QuadTech 1880 Milliohm-meter  
Operating temperature: -40 to +105  
Storage Temperature: -40 to +105  
Solder methods: Vapor Phase,Infrared Reflow  
Resistance to soldering heat:260 for 10 seconds  
Solvent resistance: Conforms to MIL-STD-202E  
Marking: Inductance & Tolerance  
Note:All specifications subject to change without notice.