

MSN: bruce_fu-vip@hotmail.com

THROUGH-HOLE COMMON MODE CHOKES ET&UT SERIES

FEATURES:

- 0.3A to 10A ratings, low temperature rise
- 0.7mH to 100mH dual chokes
- Excellent Mechanical Strength
- 100KHz to 3MHz common mode resonance
- High Reliability and variant PCB-mount housing
- Low resistance and temperature rise

OPTIONS:

- Bulk packaging is standard
- Custom design available

COMMON APPLICATIONS:

- DC/DC, AC/DC line noise suppression
- Communication System
- Automotive Systems
- LCD/PDPTelevisions
- Computer Peripheral Equipment
- It accord with the standards of FCC VCCI CISPR FTZ, etc, eliminating of electromagnetic noise of power and signal circuit.

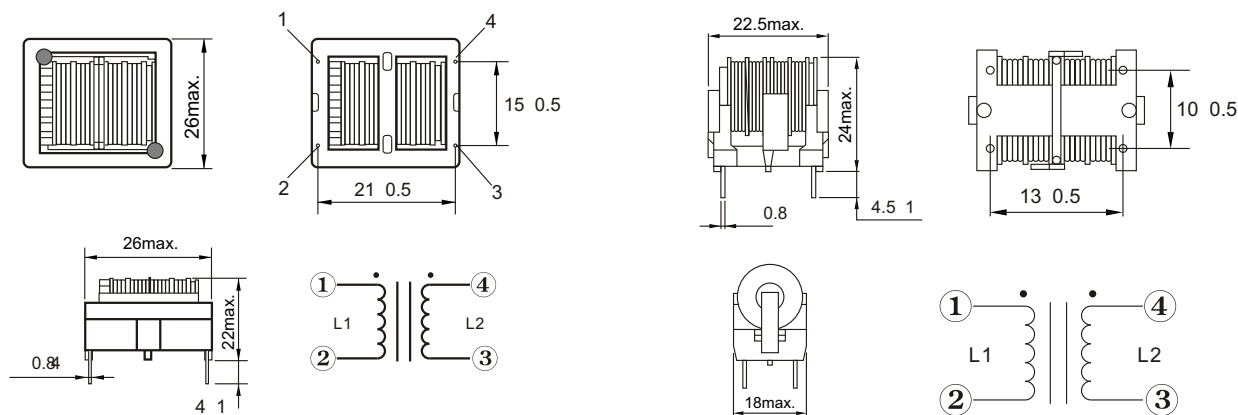
ELECTRICAL CHARACTERISTICS

MSN: bruce_fu-vip@hotmail.com

Part Number	Nominal inductance (mH) Min.	Leakage Inductance (H)Max.	D.C.R (Ω) Max.	Rated current I(A) Max	Part Number	Nominal Inductance (mH) Min.	Leakage Inductance (H)Max.	D.C.R (Ω) Max.	Rated current I(A) Max
ET2422H-683Y0R4	68	700	2.3	0.4	UT2024-123Y0R8	12	200	0.92	0.8
ET2422H-453Y0R5	45	600	1.65	0.5	UT2024-622Y1R0	6.2	150	0.50	1.0
ET2422H-333Y0R6	33	500	1.2	0.6	UT2024-242Y1R7	2.4	80	0.18	1.7
ET2422H-253Y0R8	25	400	0.88	0.8	UT2024-601Y3R0	0.6	40	0.06	3.0
ET2422H-203Y1R0	20	350	0.64	1.0					
ET2422H-103Y1R2	10	250	0.38	1.2					
ET2422H-452Y1R5	4.5	150	0.19	1.5					
ET2422H-392Y1R8	3.9	150	0.15	1.8					
ET2422H-332Y2R0	3.3	100	0.11	2.0					
ET2422H-242Y2R5	2.4	95	0.09	2.5					

PHYSICAL CHARACTERISTICS:

MSN: bruce_fu-vip@hotmail.com



Weight: 19.5g typ
Recommended hole diameter: 1.2~1.3
Dimensions in mm

Weight: 10g typ
Recommended hole Diameter: 1.2~1.3
Dimensions in mm

TECHNICAL INFORMATION:

Max operating voltage: 250V at 40
 IDC Max: rating AC/DC current A @40
 Hi-Pot 2500V AC winding to winding 3S.
 Insulation resistance 100M Min DC 500V
 Temperature Rise Max: 40
 Inductance Testing: 10KHz 0.1V HP4284A
 RDC: QuadTech 1880 Milliohmmer
 Surge current Max 10ms: 20X IDC
 Operating temperature: -40 to +105
 Storage Temperature: -40 to +105
 Resistance to soldering heat: 260 for 10 seconds
 Marking: Part number and date code
 Note: All specifications subject to change without notice.