

SMD Power Inductors

SPRH73 Series Dimension Diagram(unit: mm)

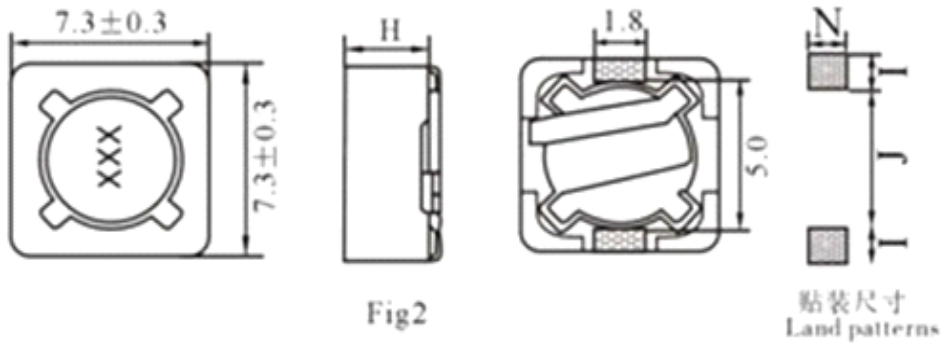


Fig2

貼裝尺寸
Land patterns

Part No	H(Max)	N	I	J	Fig
SPRH73	3.5	2.2	1.6	4.8	2

SPRH73 Series Electrical Characteristics:

PART NO.	L (μH) INDUCTANCE	L TEST FREQUENCY	DCR (Ω) MAX	IDC (A) MAX
SPRH73-3R3M	3.3	1 KHZ	0.045	3.10
SPRH73-100M	10	1 KHZ	0.072	1.68
SPRH73-120M	12	1 KHZ	0.098	1.52
SPRH73-150M	15	1 KHZ	0.130	1.33
SPRH73-180M	18	1 KHZ	0.140	1.20
SPRH73-220M	22	1 KHZ	0.190	1.07
SPRH73-270M	27	1 KHZ	0.210	0.96
SPRH73-330M	33	1 KHZ	0.240	0.91
SPRH73-390M	39	1 KHZ	0.320	0.77
SPRH73-470M	47	1 KHZ	0.360	0.76
SPRH73-560M	56	1 KHZ	0.470	0.68
SPRH73-680M	68	1 KHZ	0.520	0.61
SPRH73-820M	82	1 KHZ	0.690	0.57

SMD Power Inductors

PART NO.	L (μH) INDUCTANCE	L TEST FREQUENCY	DCR (Ω) MAX	IDC (A) MAX
SPRH73-101M	100	1 KHZ	0.790	0.50
SPRH73-121M	120	1 KHZ	0.890	0.49
SPRH73-151M	150	1 KHZ	1.270	0.43
SPRH73-181M	180	1 KHZ	1.450	0.39
SPRH73-221M	220	1 KHZ	1.650	0.35
SPRH73-271M	270	1 KHZ	2.310	0.32
SPRH73-331M	330	1 KHZ	2.620	0.28
SPRH73-391M	390	1 KHZ	2.940	0.26
SPRH73-471M	470	1 KHZ	4.180	0.24
SPRH73-561M	560	1 KHZ	4.670	0.22
SPRH73-681M	680	1 KHZ	5.730	0.19
SPRH73-821M	820	1 KHZ	6.540	0.18
SPRH73-102M	1000	1 KHZ	9.440	0.16

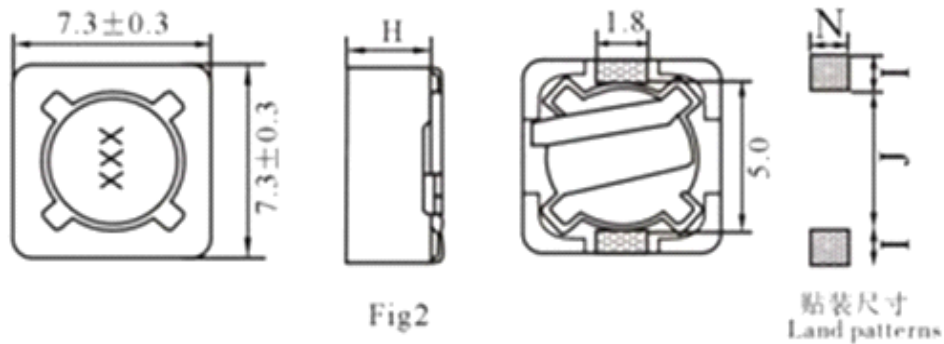
Notes:

1, the inductance tolerance: J +5%; K +10%; L +15%; M +20%, customers can choose according to their own conditions, inductance tolerance!

2, if the standard exceeds the requirements of the above, you can also customize the product according to customer's needs!

SMD Power Inductors

SPRH74 Series Dimension Diagram(unit: mm)



Part No	H(Max)	N	I	J	Fig
SPRH74	4.5	2.2	1.6	4.8	2

SPRH74 Series Electrical Characteristics:

PART NO.	L (μH)	L TEST	DCR (Ω)	IDC (A)
	INDUCTANCE	FREQUENCY	MAX	MAX
SPRH74-100M	10	1 KHZ	0.049	1.84
SPRH74-120M	12	1 KHZ	0.058	1.71
SPRH74-150M	15	1 KHZ	0.081	1.47
SPRH74-180M	18	1 KHZ	0.091	1.31
SPRH74-220M	22	1 KHZ	0.110	1.23
SPRH74-270M	27	1 KHZ	0.150	1.12
SPRH74-330M	33	1 KHZ	0.170	0.96
SPRH74-390M	39	1 KHZ	0.230	0.91
SPRH74-470M	47	1 KHZ	0.260	0.88
SPRH74-560M	56	1 KHZ	0.350	0.75
SPRH74-680M	68	1 KHZ	0.380	0.63
SPRH74-820M	82	1 KHZ	0.430	0.61
SPRH74-101M	100	1 KHZ	0.610	0.60
SPRH74-121M	120	1 KHZ	0.660	0.52

SMD Power Inductors

PART NO.	L (μH)	L TEST	DCR (Ω)	IDC (A)
	INDUCTANCE	FREQUENCY	MAX	MAX
SPRH74-151M	150	1 KHZ	0.880	0.46
SPRH74-181M	180	1 KHZ	0.980	0.42
SPRH74-221M	220	1 KHZ	1.170	0.36
SPRH74-271M	270	1 KHZ	1.640	0.34
SPRH74-331M	330	1 KHZ	1.860	0.32
SPRH74-391M	390	1 KHZ	2.850	0.29
SPRH74-471M	470	1 KHZ	3.010	0.26
SPRH74-561M	560	1 KHZ	3.620	0.23
SPRH74-681M	680	1 KHZ	4.630	0.22
SPRH74-821M	820	1 KHZ	5.200	0.20
SPRH74-102M	1000	1 KHZ	6.000	0.18

Notes:

1, the inductance tolerance: J +5%; K +10%; L +15%; M +20%, customers can choose according to their own conditions, inductance tolerance!

2, if the standard exceeds the requirements of the above, you can also customize the product according to customer's needs!

SMD Power Inductors

SPRH124 Series Dimension Diagram(unit: mm)

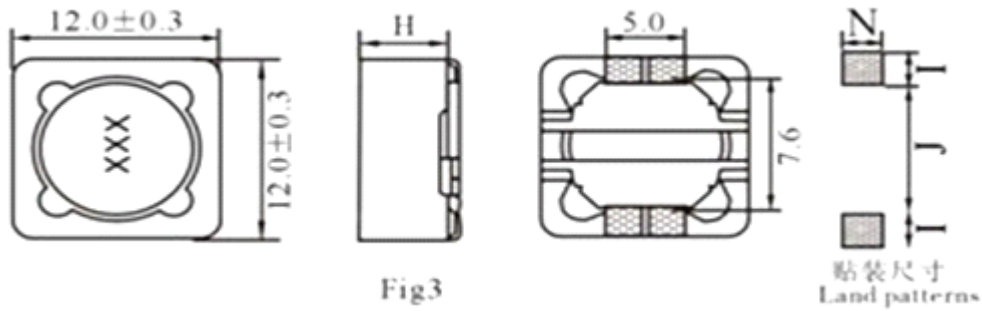


Fig3

貼裝尺寸
Land patterns

Part No	H(Max)	N	I	J	Fig
SPRH124	4.5	5.4	2.9	7.0	3

SPRH124 Series Electrical Characteristics:

PART NO.	L (μH)	L TEST	DCR (Ω)	IDC (A)
	INDUCTANCE	FREQUENCY	MAX	MAX
SPRH124-3R9N	3.9	100 KHZ	0.015	6.5
SPRH124-4R7N	4.7	100 KHZ	0.018	5.7
SPRH124-6R8N	6.8	100 KHZ	0.026	4.9
SPRH124-8R2N	8.2	100 KHZ	0.023	4.6
SPRH124-100M	10.0	100 KHZ	0.028	4.5
SPRH124-120M	12.0	100 KHZ	0.038	4.0
SPRH124-150M	15.0	100 KHZ	0.050	3.2
SPRH124-180M	18.0	100 KHZ	0.057	3.1
SPRH124-220M	22.0	100 KHZ	0.066	2.9
SPRH124-270M	27.0	100 KHZ	0.080	2.8
SPRH124-330M	33.0	100 KHZ	0.097	2.7
SPRH124-390M	39.0	100 KHZ	0.132	2.1
SPRH124-470M	47.0	100 KHZ	0.150	1.9
SPRH124-560M	56.0	100 KHZ	0.190	1.8
SPRH124-680M	68.0	100 KHZ	0.220	1.5

SMD Power Inductors

PART NO.	L (μH)	L TEST	DCR (Ω)	IDC (A)
	INDUCTANCE	FREQUENCY	MAX	MAX
SPRH124-820M	82.0	100 KHZ	0.260	1.3
SPRH124-101M	100.0	100 KHZ	0.308	1.2
SPRH124-121M	120.0	100 KHZ	0.380	1.1
SPRH124-151M	150.0	100 KHZ	0.530	1.0
SPRH124-181M	180.0	100 KHZ	0.620	0.9
SPRH124-221M	220.0	100 KHZ	0.700	0.8
SPRH124-271M	270.0	100 KHZ	0.870	0.6
SPRH124-331M	330.0	100 KHZ	0.990	0.5

Notes:

1, the inductance tolerance: J +5%; K +10%; L +15%; M +20%, customers can choose according to their own conditions, inductance tolerance!

2, if the standard exceeds the requirements of the above, you can also customize the product according to customer's needs!

SMD Power Inductors

SPRH125 Series Dimension Diagram(unit: mm)

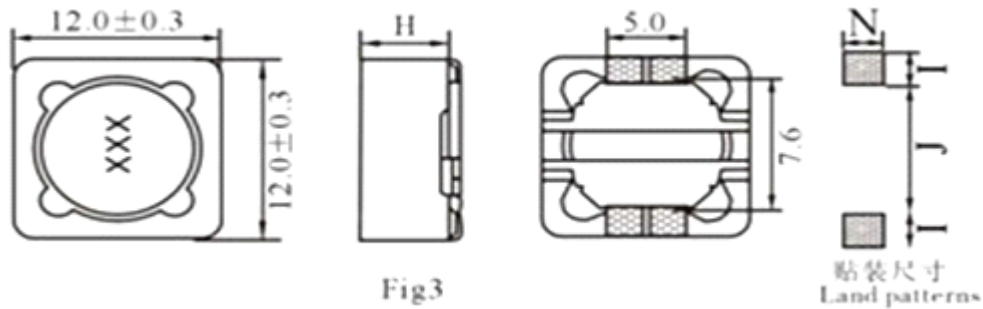


Fig3

Part No	H(Max)	N	I	J	Fig
SPRH125	6.0	5.4	2.9	7.0	3

SPRH125 Series Electrical Characteristics:

PART NO.	L (μH)	L TEST	DCR (Ω)	IDC (A)
	INDUCTANCE	FREQUENCY	MAX	MAX
SPRH125-1R3N	1.3	100 KHZ	0.012	8.0
SPRH125-2R1N	2.1	100 KHZ	0.014	7.0
SPRH125-3R1N	3.1	100 KHZ	0.017	6.0
SPRH125-4R4N	4.4	100 KHZ	0.020	5.0
SPRH125-5R8N	5.8	100 KHZ	0.021	4.4
SPRH125-7R5N	7.5	100 KHZ	0.024	4.2
SPRH125-100M	10.0	1 KHZ	0.025	4.0
SPRH125-120M	12.0	1 KHZ	0.027	3.5
SPRH125-150M	15.0	1 KHZ	0.030	3.3
SPRH125-180M	18.0	1 KHZ	0.034	3.0
SPRH125-220M	22.0	1 KHZ	0.036	2.8
SPRH125-270M	27.0	1 KHZ	0.051	2.3
SPRH125-330M	33.0	1 KHZ	0.057	2.1
SPRH125-390M	39.0	1 KHZ	0.068	2.0
SPRH125-470M	47.0	1 KHZ	0.075	1.8

SMD Power Inductors

PART NO.	L (μH)	L TEST	DCR (Ω)	IDC (A)
	INDUCTANCE	FREQUENCY	MAX	MAX
SPRH125-560M	56.0	1 KHZ	0.110	1.7
SPRH125-680M	68.0	1 KHZ	0.120	1.5
SPRH125-820M	82.0	1 KHZ	0.140	1.4
SPRH125-101M	100.0	1 KHZ	0.160	1.3
SPRH125-121M	120.0	1 KHZ	0.170	1.1
SPRH125-151M	150.0	1 KHZ	0.230	1.0
SPRH125-181M	180.0	1 KHZ	0.290	0.9
SPRH125-221M	220.0	1 KHZ	0.400	0.8
SPRH125-271M	270.0	1 KHZ	0.460	0.8
SPRH125-331M	330.0	1 KHZ	0.510	0.7
SPRH125-391M	390.0	1 KHZ	0.690	0.7
SPRH125-471M	470.0	1 KHZ	0.770	0.6
SPRH125-561M	560.0	1 KHZ	0.860	0.5
SPRH125-681M	680.0	1 KHZ	1.200	0.5
SPRH125-821M	820.0	1 KHZ	1.340	0.4
SPRH125-102M	1000.0	1 KHZ	1.530	0.4

Notes:

1, the inductance tolerance: J +5%; K +10%; L +15%; M +20%, customers can choose according to their own conditions, inductance tolerance!

2, if the standard exceeds the requirements of the above, you can also customize the product according to customer's needs!

SMD Power Inductors

SPRH127 Series Dimension Diagram(unit: mm)

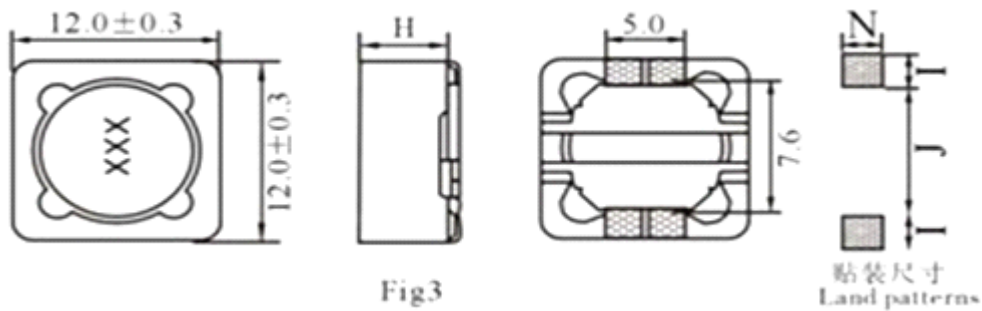


Fig3

貼裝尺寸
Land patterns

Part No	H(Max)	N	I	J	Fig
SPRH127	8.0	5.4	2.9	7.0	3

SPRH127 Series Electrical Characteristics:

PART NO.	L (μH)	L TEST	DCR (Ω)	IDC (A)
	INDUCTANCE	FREQUENCY	MAX	MAX
SPRH127-1R2N	1.2	100 KHZ	0.007	9.80
SPRH127-2R4N	2.4	100 KHZ	0.012	8.00
SPRH127-3R5N	3.5	100 KHZ	0.014	7.50
SPRH127-4R7N	4.7	100 KHZ	0.016	6.80
SPRH127-6R1N	6.1	100 KHZ	0.018	6.60
SPRH127-7R6N	7.6	100 KHZ	0.020	5.90
SPRH127-100M	10	1 KHZ	0.022	5.40
SPRH127-120M	12	1 KHZ	0.024	4.90
SPRH127-150M	15	1 KHZ	0.031	4.50
SPRH127-180M	18	1 KHZ	0.039	3.90
SPRH127-220M	22	1 KHZ	0.043	3.60
SPRH127-270M	27	1 KHZ	0.046	3.40
SPRH127-330M	33	1 KHZ	0.065	3.00
SPRH127-390M	39	1 KHZ	0.073	2.75
SPRH127-470M	47	1 KHZ	0.100	2.50

SMD Power Inductors

PART NO.	L (μH) INDUCTANCE	L TEST FREQUENCY	DCR (Ω) MAX	IDC (A) MAX
SPRH127-560M	56	1 KHZ	0.110	2.35
SPRH127-680M	68	1 KHZ	0.140	2.10
SPRH127-820M	82	1 KHZ	0.160	1.95
SPRH127-101M	100	100 KHZ	0.220	1.70
SPRH127-121M	120	100 KHZ	0.250	1.60
SPRH127-151M	150	100 KHZ	0.280	1.42
SPRH127-181M	180	100 KHZ	0.350	1.30
SPRH127-221M	220	100 KHZ	0.390	1.16
SPRH127-271M	270	100 KHZ	0.560	1.06
SPRH127-331M	330	100 KHZ	0.640	0.95
SPRH127-391M	390	100 KHZ	0.700	0.88
SPRH127-471M	470	100 KHZ	0.980	0.79
SPRH127-561M	560	100 KHZ	1.070	0.73
SPRH127-681M	680	100 KHZ	1.460	0.67
SPRH127-821M	820	100 KHZ	1.640	0.60
SPRH127-102M	1000	100 KHZ	1.820	0.55

Notes:

1, the inductance tolerance: J +5%; K +10%; L +15%; M +20%, customers can choose according to their own conditions, inductance tolerance!

2, if the standard exceeds the requirements of the above, you can also customize the product according to customer's needs!