

## SURFACE-MOUNT COMMON MODE CHOKES

# CM 09-10 SERIES



### FEATURES:

- LCP Base
- High Frequency Design
- Excellent Mechanical Strength
- Excellent Solderability
- High Reliability
- Low Profile

### OPTIONS:

- Packaging: Tape & Reel is standard (Qty:2000pcs)
- Bulk packaging available for smaller quantities
- Tolerance: 10% and 5% is standard, tighter tolerances available

### COMMON APPLICATIONS:

- Datalline Noise Suppression
- Video Cameras
- Communication System
- Automotive Systems
- Liquid Crystal Televisions
- Hard Disk Drives
- Network Systems
- Computer Peripheral Equipment

## ELECTRICAL CHARACTERISTICS

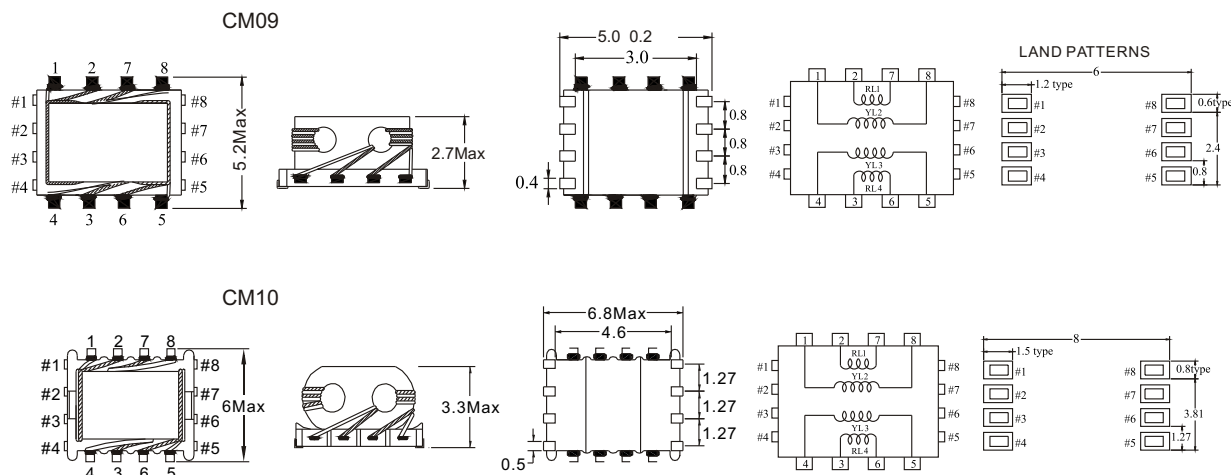
MSN: bruce\_fu-vip@hotmail.com

Part Number	Insertion Loss(dB)				DCR Max	IDC A Max	Impedance (Typical)	Wistanding Voltage (CH-901)
	50MHz	100MHz	300MHz	500MHz				
CM 09-1394A	2.8 2.0	7.3 2.5	12.0 3.0	14.0 3.0	0.3	0.65	220 @100MHz	50VDC
CM 10-121	1.3 0.5	4.0 1.5	8.0 2.0	11.0 3.0	0.3	0.65	120 @100MHz	100VAC
CM 10-151	2.5 1.0	3.0 1.5	4.0 2.0	5.0 3.0	0.3	0.30	150 @100MHz	100VAC
CM 10-161	3.0 1.0	8.0 2.0	13.0 2.5	15.0 3.0	0.3	0.30	160 @100MHz	100VAC
CM 10-221	2.0 1.0	6.0 2.0	12.0 2.5	14.0 3.0	0.12	0.65	220 @100MHz	100VAC

Note: 1. K= 10%, M= 20%, N= 30%

## TECHNICAL INFORMATION & PHYSICAL CHARACTERISTICS:

### DIMENSIONS IN:mm



Inductance Testing: 1KHz 1V HP4284A  
 Z test with HP4191A or HP4395A  
 RDC: QuadTech 1880 Milliohmmeter  
 Operating temperature: -40 to +105  
 Storage Temperature: -40 to +105  
 Resistance to soldering heat: 260 for 10 seconds  
 Marking: Part number and date code  
 Note: All specifications subject to change without notice.