



8W Audio Transformers

P/N:AT08001

Electrical Character:

Impedance: AT 1KHz Primary (SEC @8 ohms):

BLK-BRN	78.0 ohms ±10%
BLK-RED	156 ohms ±10%
BLK-ORG	312 ohms ±10%
BLK-YEL	625 ohms ±10%
BLK-GRN	1250 ohms ±10%
BLK-BLU	2500 ohms ±10%
BLK-VIO	5000 ohms ±10%

D.C.Resistance: PRIMARY

BLK-BRN	3.50 ohms ±20%
BLK-RED	7.70 ohms ±20%
BLK-ORG	13.7 ohms ±20%
BLK-YEL	23.0 ohms ±20%
BLK-GRN	55.0 ohms ±20%
BLK-BLU	105.0 ohms ±20%
BLK-VIO	180.0 ohms ±20%

SECONDARY

BLK-WHT	0.55 ohms ±20%
---------	----------------

Output load voltage: at 1khz pri input:
25.0VAC or 70.7VAC (SEC@8 ohms)

	25.0V VL	70.7V VL		
BLK-BRN	8.0W	6.88~7.92VAC		
BLK-RED	4.0W	4.83~5.56VAC		
BLK-ORG	2.0W	3.45~4.00VAC		
BLK-YEL	0.5W	2.47~2.85VAC	8.0W	6.88~7.92VAC
BLK-GRN			4.0W	4.83~5.56VAC
BLK-BLU			2.0W	3.45~4.00VAC
BLK-VIO			1.0W	2.47~2.85VAC

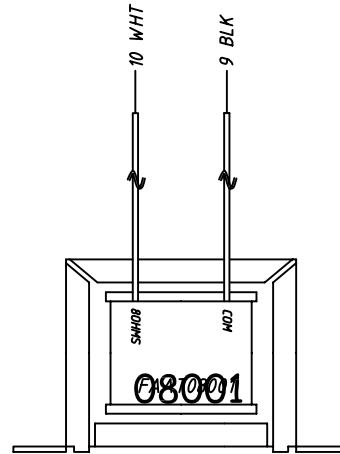
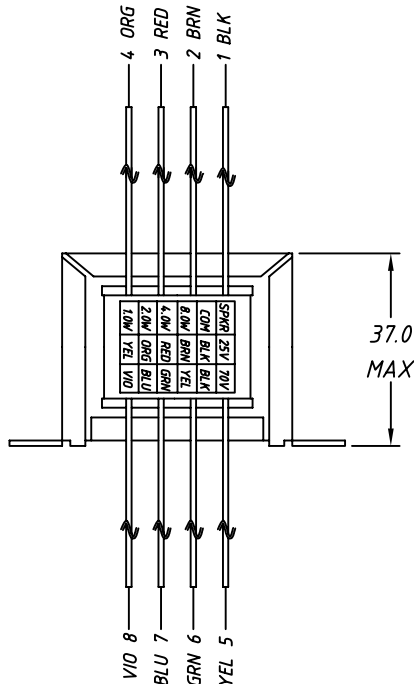
Insertion Loss: AT 1KHz 1.50dB MAX.

Frequency Response: AT 100Hz TO 15KHz ±1.2dB (REF 1KHz).

Hipot test: P-S-C: 1200VAC/1mA/1 SECOND.

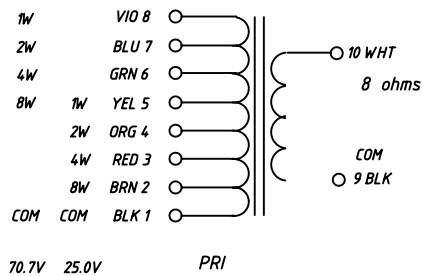
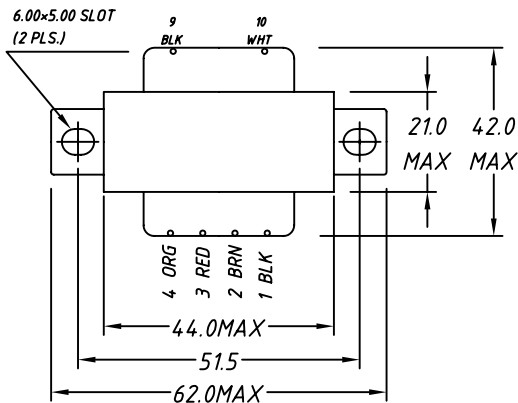
Operating Temperature range: -40°C to +85°C.

All parts meet RoHS compliance.



PRI. LEAD WIRES ARE #22AWG, 105°C, UL 1015,
LENGTH 152 ± 5mm, S & T 10 ± 1mm.
SOLDERED TO TAP SWITCH (EXCEPT FOR COMMON).

SEC.(BLK.WHT) LEAD WIRES ARE #22AWG, 105°C,
UL 1015, LENGTH 152 ± 5mm, S & T 10 ± 1mm.



Unit: mm

Tolerance: .X ±0.50

.XX ±0.25