

P/N: AT02001

Electrical Character:

Impedance: AT 1KHz Primary (SEC @8 ohms):

BLK-RED	312 ohms ±10%
BLK-ORG	625 ohms ±10%
BLK-YEL	1250 ohms ±10%
BLK-GRN	2500 ohms ±10%

D.C. Resistance: PRIMARY

BLK-RED	20.0 ohms ±20%
BLK-ORG	30.0 ohms ±20%
BLK-YEL	65.0 ohms ±20%
BLK-GRN	120.0 ohms ±20%

SECONDARY

WHT-WHT	0.37 ohms ±20%
---------	----------------

Output load voltage: at 1kHz pri input:

25.0VAC (SEC@8 ohms)	
BLK-RED 2.0W	3.34~3.84VAC
BLK-ORG 1.0W	2.38~2.74VAC
BLK-YEL 0.5W	1.66~1.92VAC
BLK-GRN 0.25W	1.20~1.38VAC

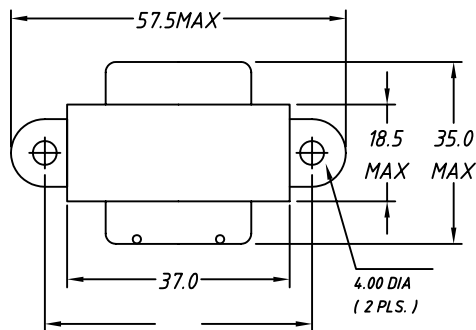
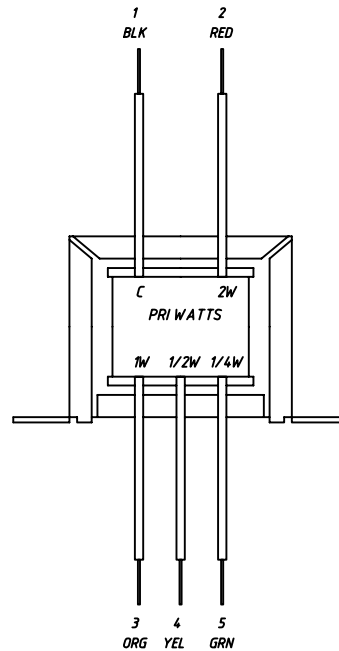
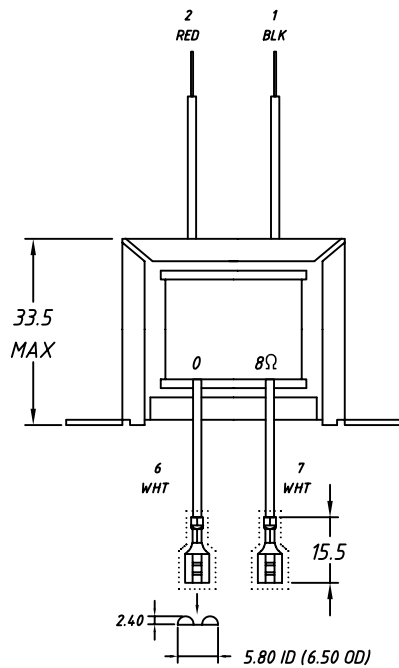
Insertion Loss: AT 1KHz 1.50dB MAX.

Frequency Response: AT 100Hz TO 10KHz ±1.5dB (REF 1KHz).

Hipot test: P-S-C: 1200VAC/1mA/1 SECOND.

Operating Temperature range: -40°C to +85°C.

All parts meet RoHS compliance.



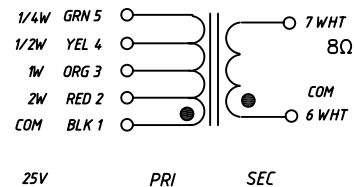
PRI. WIRES ARE #22AWG, UL 1015.

LENGTH 152.4 ± 10mm, S & T 12.7 ± 1mm.

SEC. (WHT. WHT) LEAD WIRES ARE #22AWG, UL 1015,

LENGTH 100 ± 5mm. WITH 0.205" FEMALE CONNECTOR,

PLUS CLEAR INSULATOR.



Unit: mm

Tolerance: .X ±0.50

.XX ±0.25