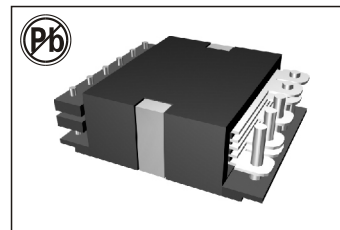


# HIGH FREQUENCY 150W PLANAR TRANSFORMERS

## TP25D SERIES



### FEATURES:

- Power Rating Up to 150 Watts
- High Efficiency of Over 98%
- High Power Density of 600 Watts Per Cubic Inch
- Footprint 23.5 mm 20.10 mm
- Lower Profile of 9.12 mm
- High Isolation (operational) 1500 Vdc
- High Frequency 200 kHz-700 kHz
- Operating Temperature -40 to +125

### OPTIONS:

- Weight: 11.60 grams
- Tape & Reel: 200/reel
- Tube: 18/tube

### COMMON APPLICATIONS:

- High performance DC/DC converters.
- High efficiencies up to over 98 percent, high power density of 600 watts per cubic inch DC/DC converters.
- For forward, full-bridge, half-bridge and push-pull DC/DC converters.
- Input voltages between 18V and 75V, and output voltages from 52V down to 1.0V DC/DC converters.
- Telecommunications, industrial control systems, Automotive and heavy equipment vehicle systems

## ELECTRICAL CHARACTERISTICS

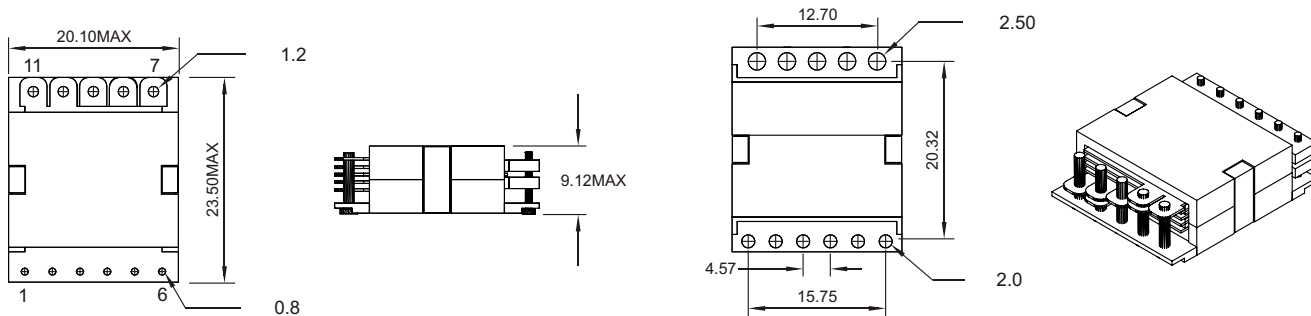
Part Number	Primary Inductance (uH Min)	Leakage Inductance (uH Max)	DC Resistance (m Max)				Turns Ratio		Primary Second Hi-Pot	Figure	M. Height
			Primary			Secondary	Primary (A/B)	Secondary			
			A	B	AUX.						
TP25D0802	161.0	0.43	18.0	18.0	N/A	0.85±0.85	4T/4T	1T&1T	1500VDC	A	9.12mm
TP25D0902	204.0	0.43	18.0	20.0	N/A		4T/5T	1T&1T	1500VDC	A	9.12mm
TP25D1002	252.0	0.48	20.0	20.0	N/A		5T/5T	1T&1T	1500VDC	A	9.12mm
TP25D1102	304.0	0.55	20.0	25.0	N/A		5T/6T	1T&1T	1500VDC	A	9.12mm
TP25D1202	362.0	0.60	25.0	25.0	N/A		6T/6T	1T&1T	1500VDC	A	9.12mm
TP25D0803	161.0	0.43	18.0	18.0	N/A		1.70±1.70	4T/4T	2T&1T	1500VDC	B
TP25D0903	204.0	0.43	18.0	20.0	N/A	4T/5T		2T&1T	1500VDC	B	9.12mm
TP25D1003	252.0	0.48	20.0	20.0	N/A	5T/5T		2T&1T	1500VDC	B	9.12mm
TP25D1103	304.0	0.55	20.0	25.0	N/A	5T/6T		2T&1T	1500VDC	B	9.12mm
TP25D1203	362.0	0.60	25.0	25.0	N/A	6T/6T		2T&1T	1500VDC	B	9.12mm
TP25D0804	161.0	0.43	18.0	18.0	N/A	7.00		4T/4T	(1T:1T:1T:1T)	1500VDC	C
TP25D0904	204.0	0.43	18.0	20.0	N/A		4T/5T	(1T:1T:1T:1T)	1500VDC	C	9.12mm
TP25D1004	252.0	0.48	20.0	20.0	N/A		5T/5T	(1T:1T:1T:1T)	1500VDC	C	9.12mm
TP25D1104	304.0	0.55	20.0	25.0	N/A		5T/6T	(1T:1T:1T:1T)	1500VDC	C	9.12mm
TP25D1204	362.0	0.60	25.0	25.0	N/A		6T/6T	(1T:1T:1T:1T)	1500VDC	C	9.12mm

## TECHNICAL INFORMATION

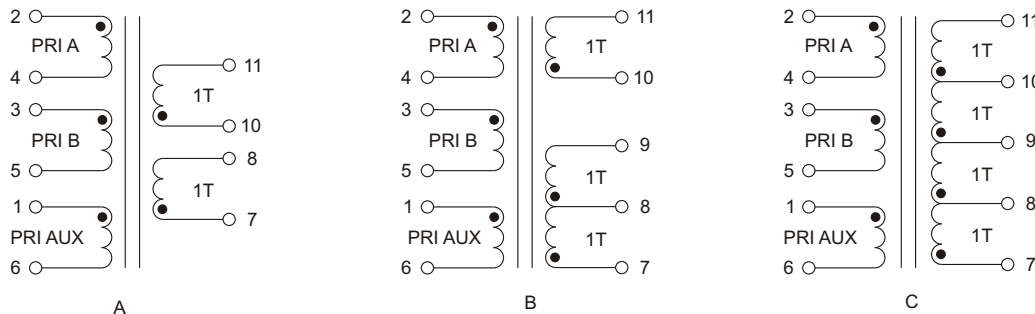
- The inductance is measured with both primary windings connected in series Pin(2-5) with Pin(3-4) shorted.
- The leakage inductance is measured in winding Pin(2-4) with all other winding shorted.
- All specifications typical at TA=25

## PHYSICAL CHARACTERISTICS

MSN: bruce\_fu\_vip@hotmail.com



### SUGGESTED PAD LAY-OUT



SCHMATIC

Note: All specifications subject to change without notice.